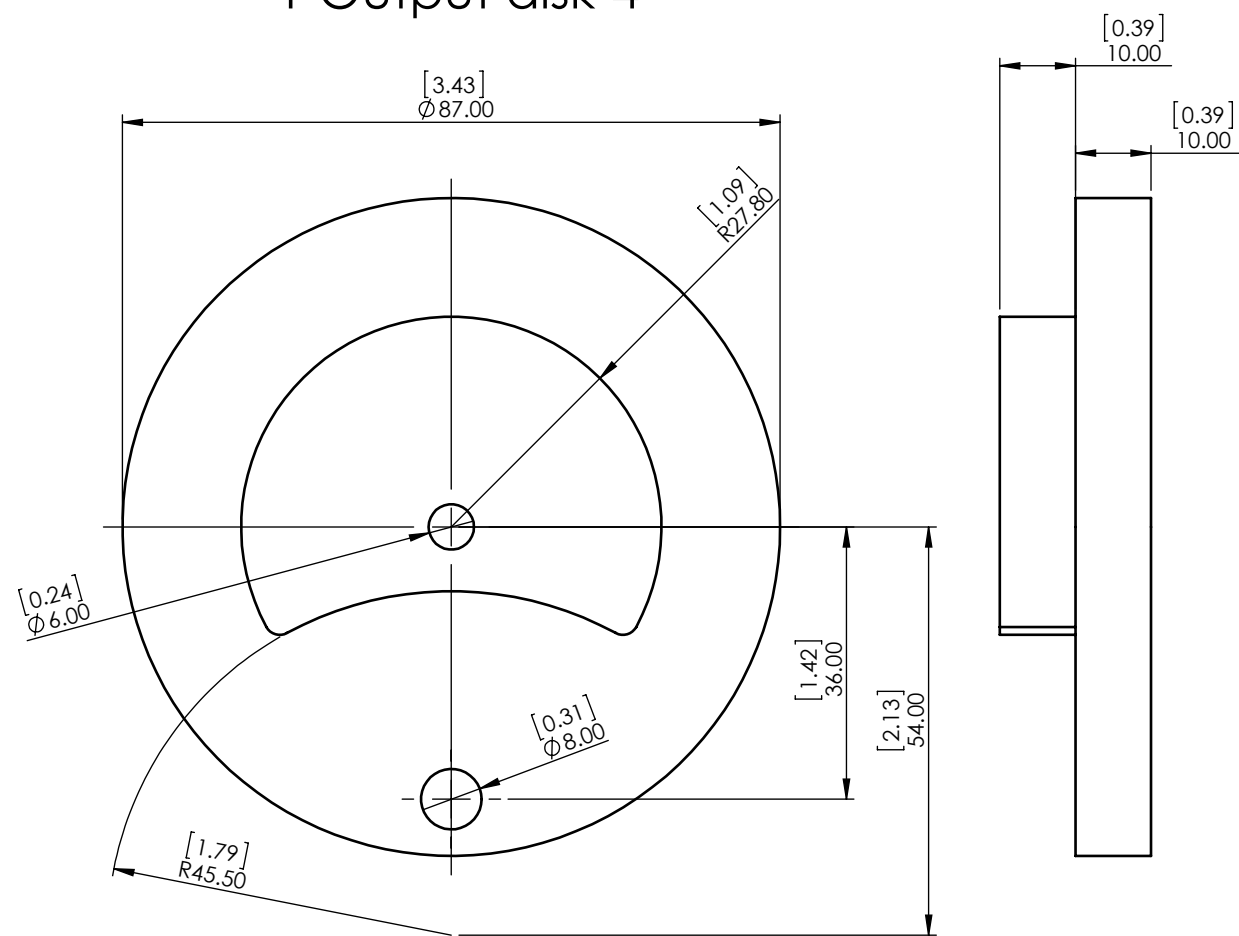


1 Output disk-4



2 Driver disk-4

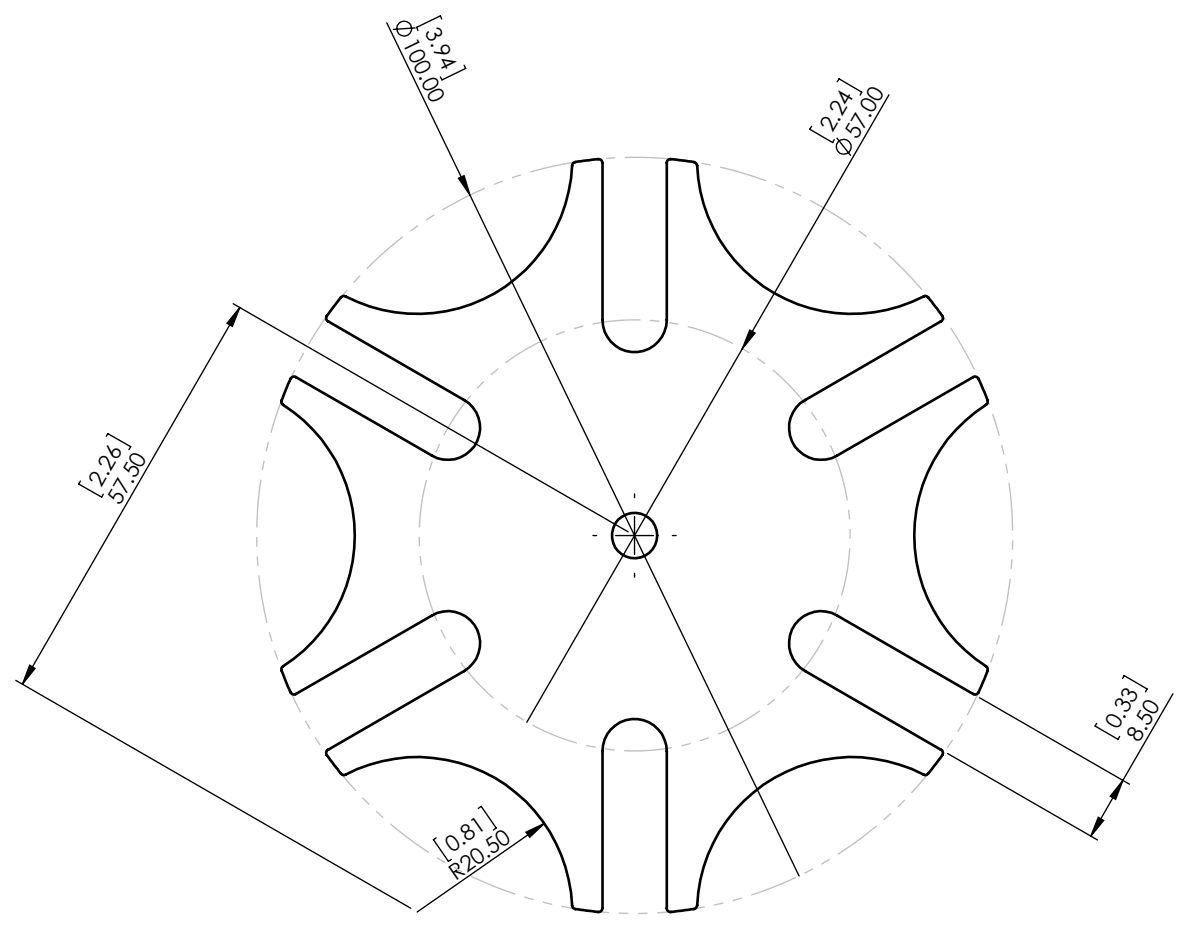
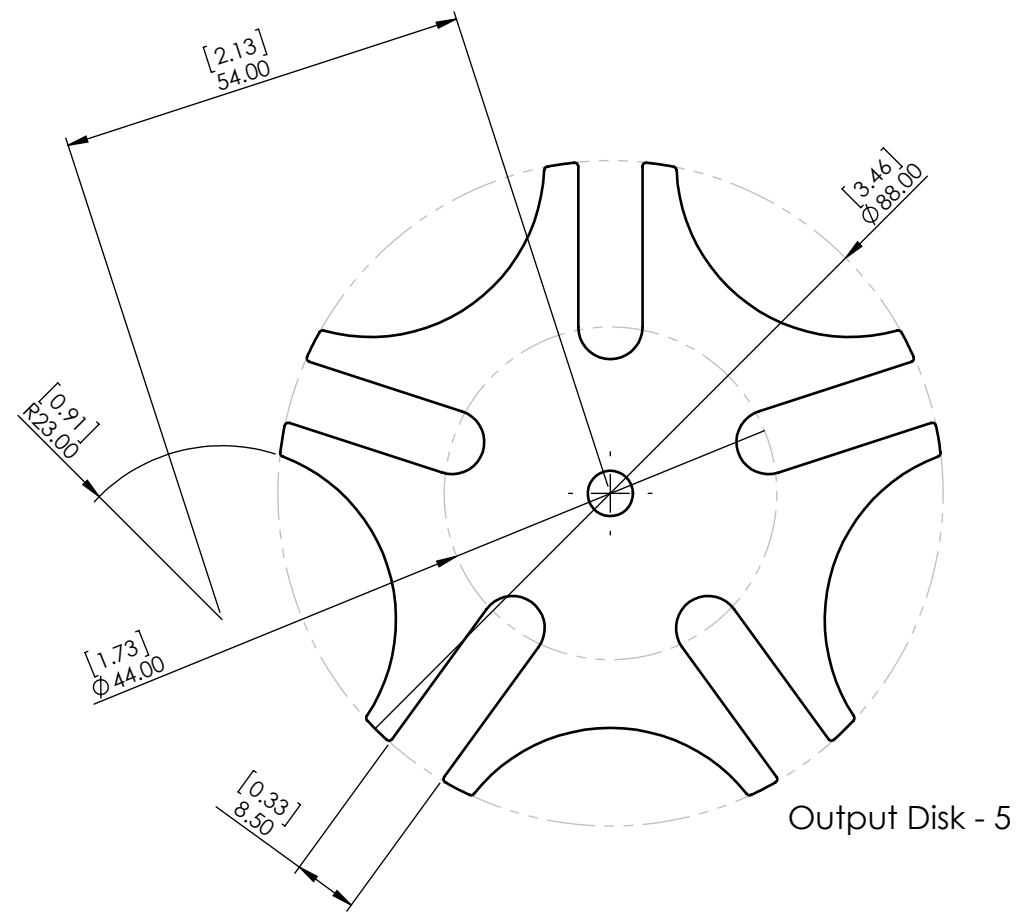
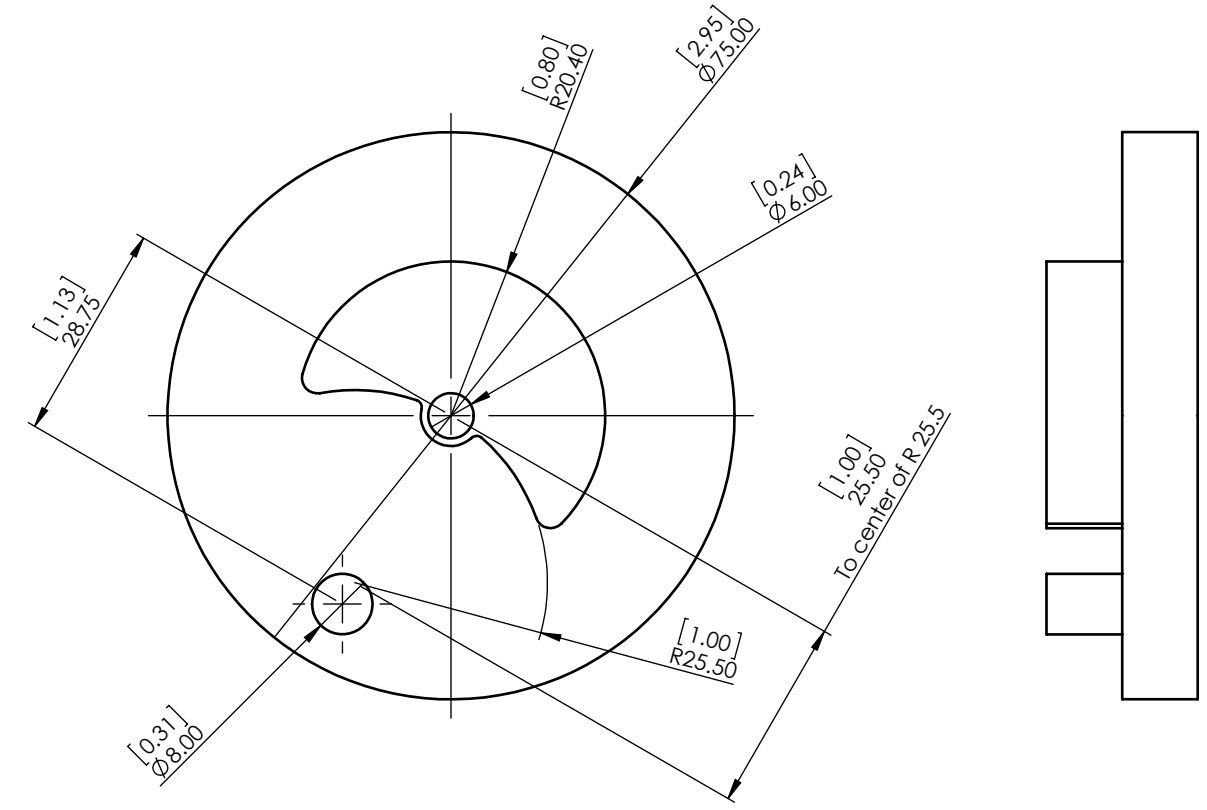
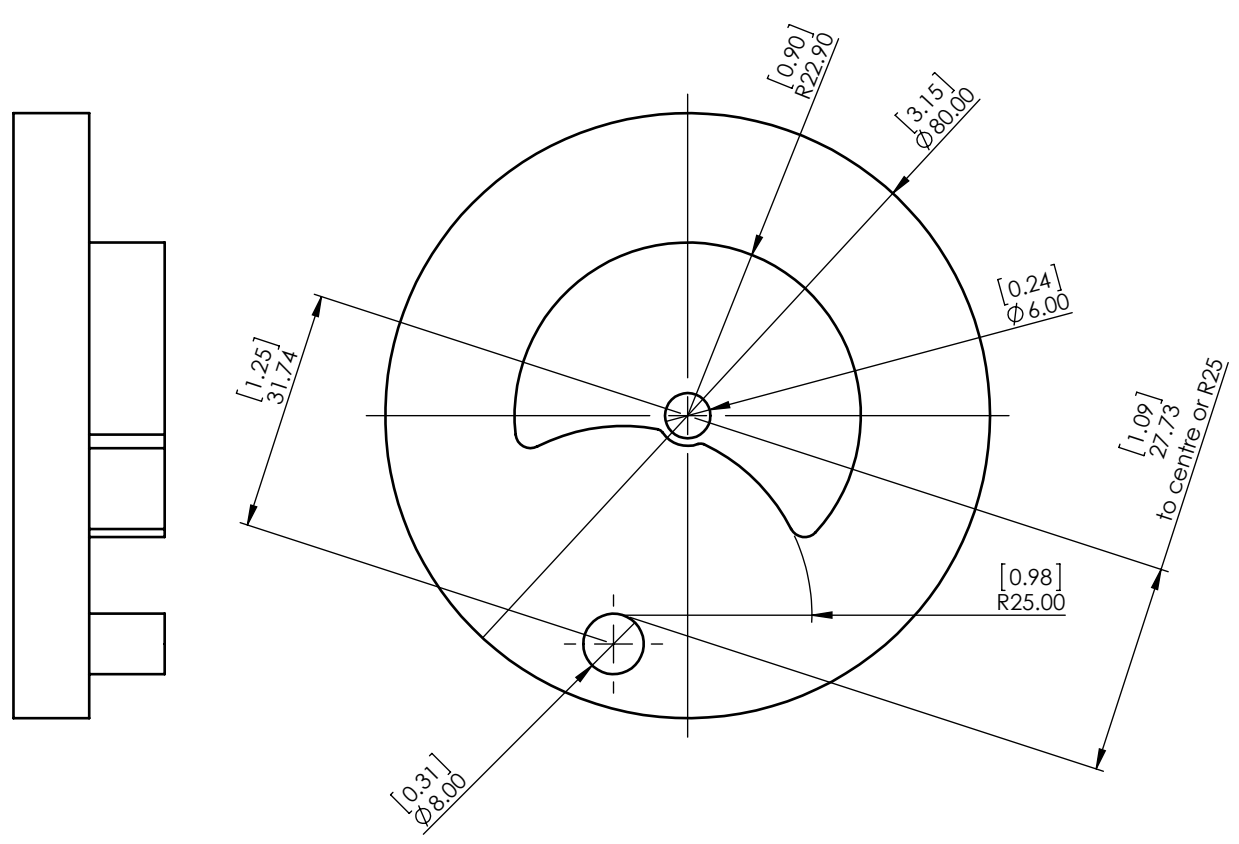
Note!

Material thickness is shown here at 10mm but it can be any thickness to suit your requirements. The pivot holes are shown at Ø6 but again can be any size you require, except that sizes large than Ø6.35 may cause clearance issues on the larger index sizes.

3 Peg  
Ø8 x 20mm

This view applies for all of the 6 sizes of Geneva mechanism

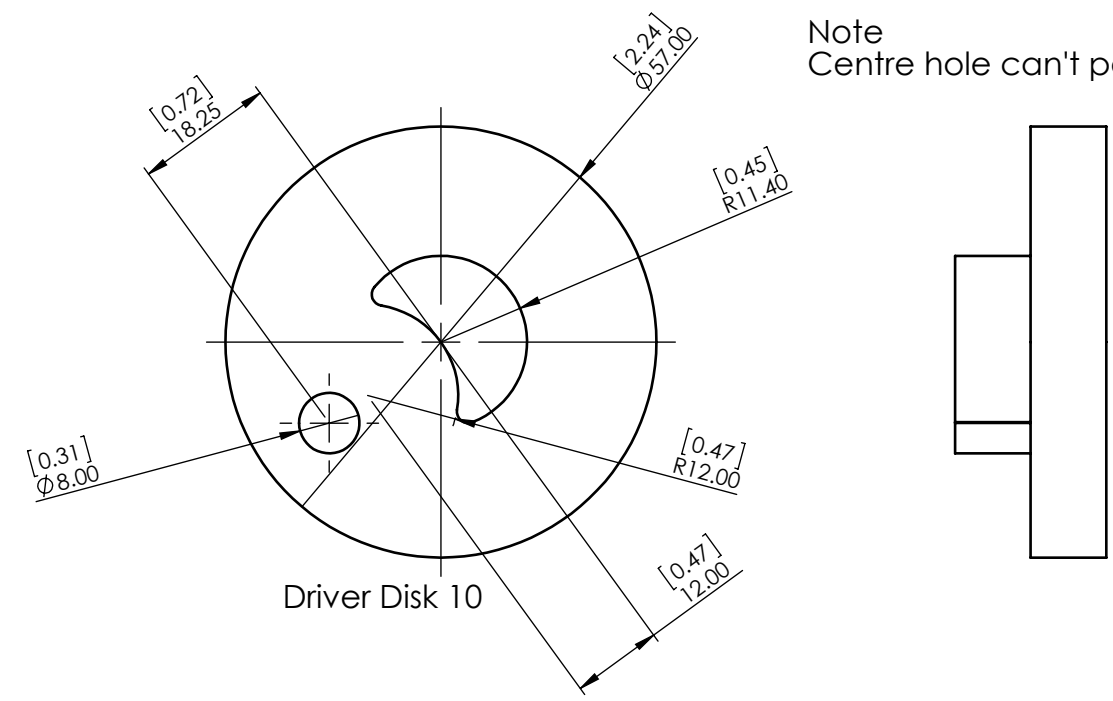
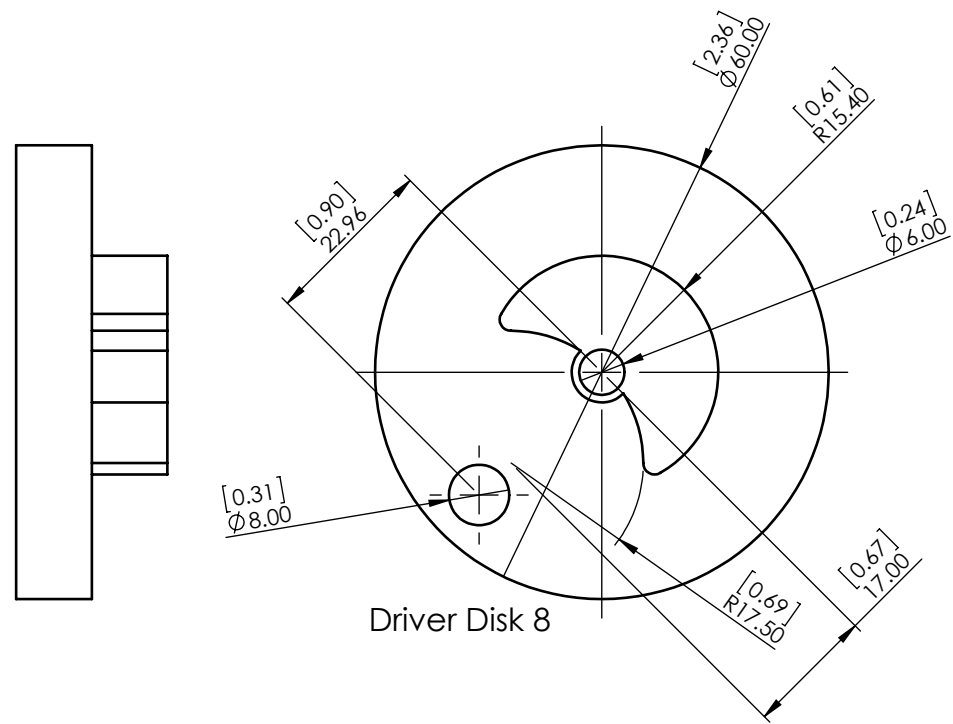
Sht 1 of 6 Shts <b>A3</b>	<b>Mechanisms for Projects</b>	<b>Geneva Mechanism - Geneva 4</b>
Scale 1:1 Unless otherwise stated	All dimensions in mm and (inches) 3rd Angle projection	March 2012 Designed by: Brian law www.woodenclocks.co.uk



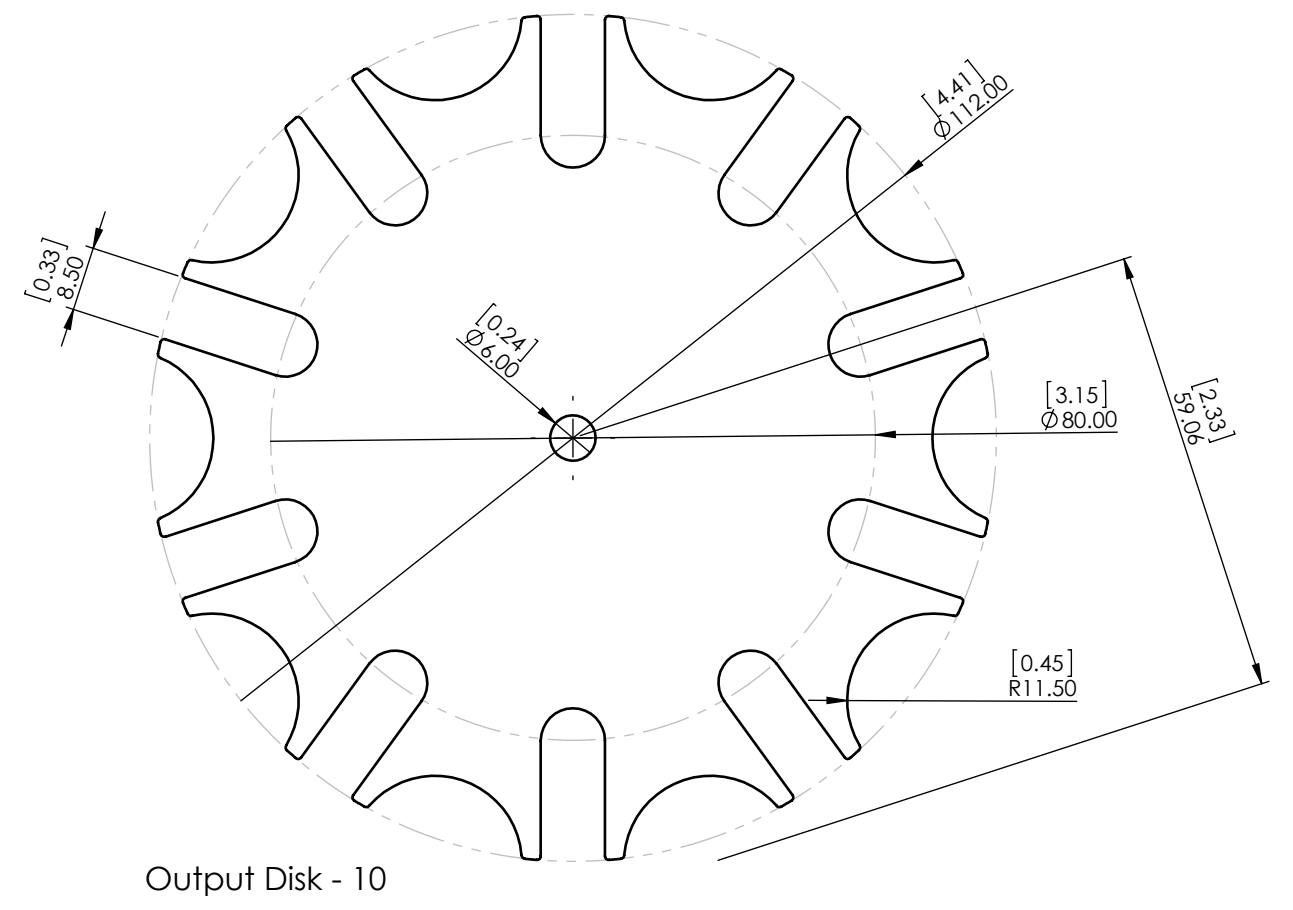
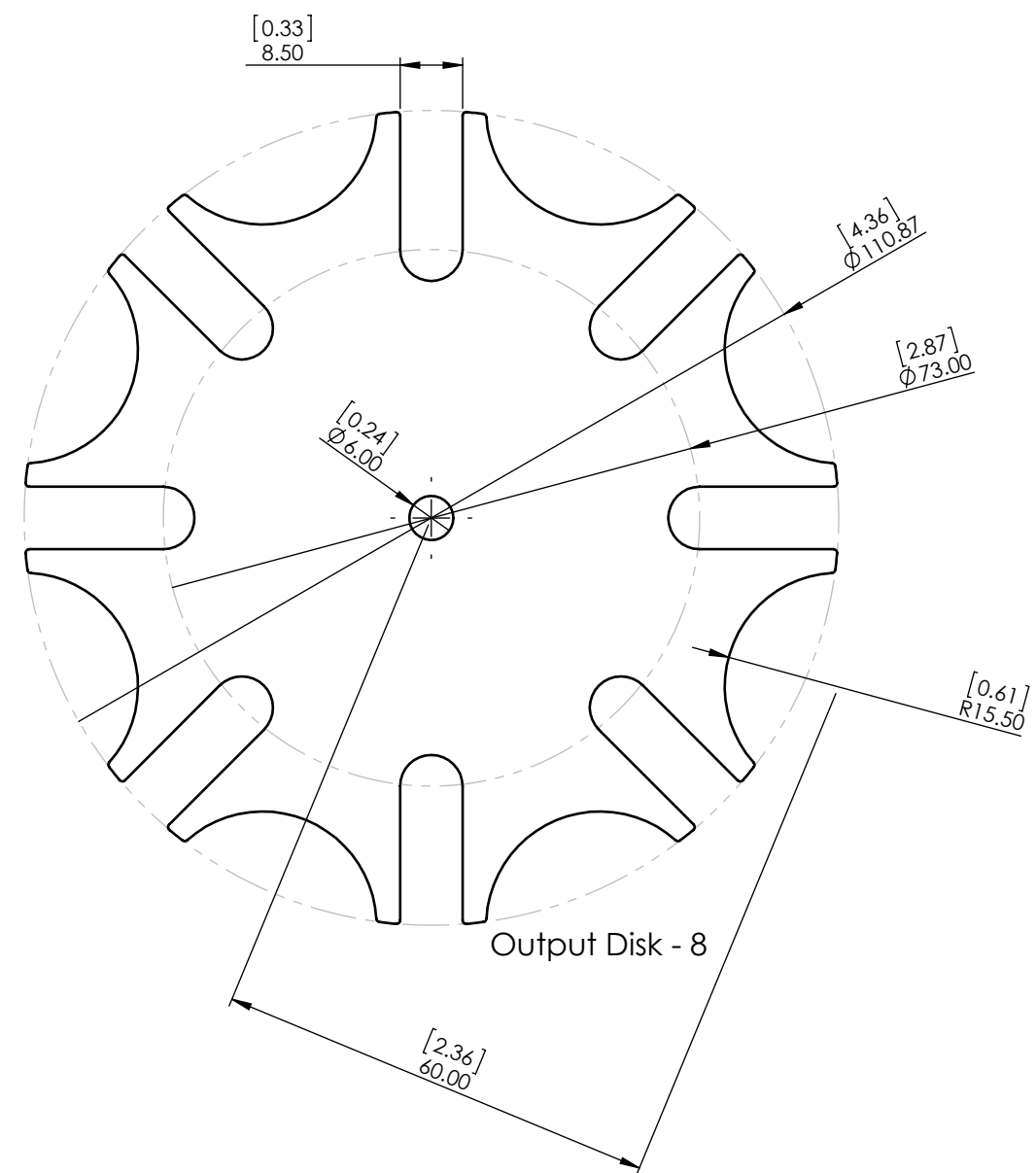
Output Disk - 5

Output Disk - 6

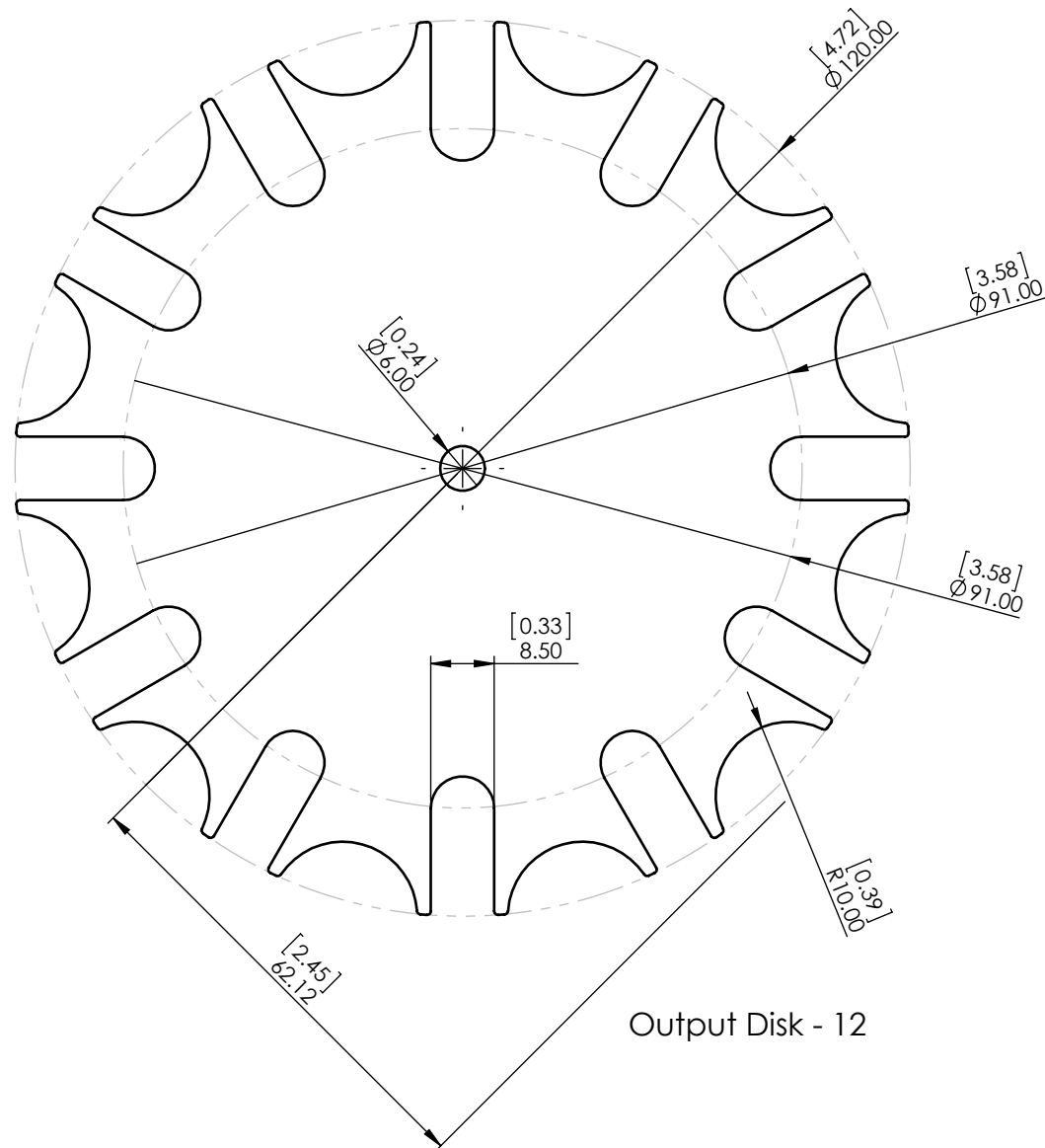
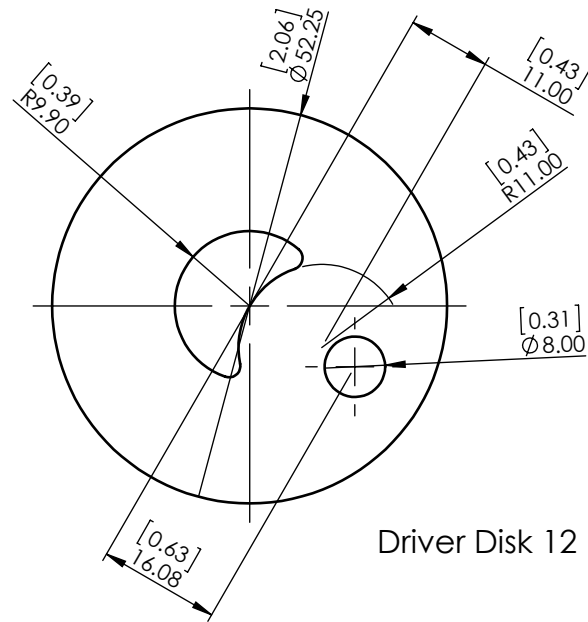
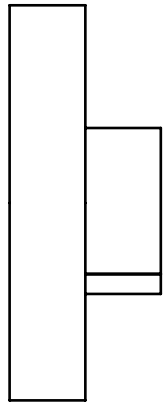
Sht of Shts	Mechanisms for Projects	Geneva Mechanism - Geneva 5 and 6
Scale 1:1 Unless otherwise stated	All dimensions in mm and (inches) 3rd Angle projection	March 2012 Designed by: Brian law www.woodenclocks.co.uk



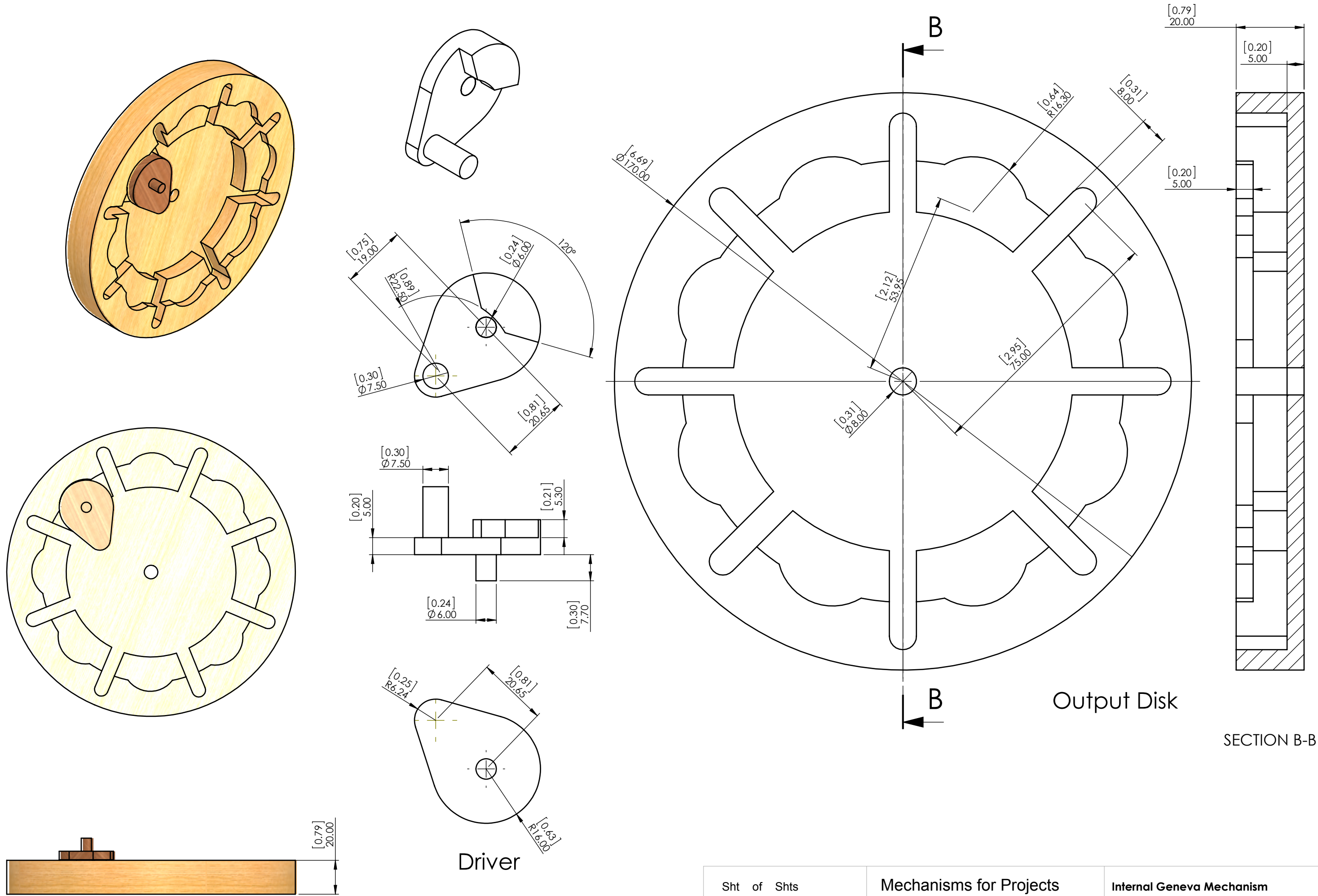
Note  
Centre hole can't pass through



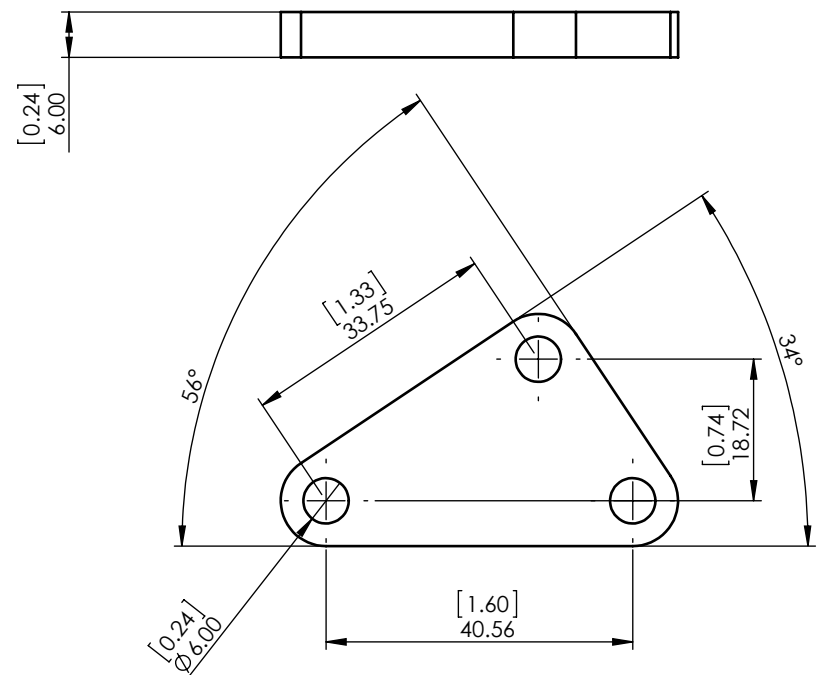
Sht of Shts	Mechanisms for Projects	Geneva Mechanism - Geneva 8 and 10
Scale 1:1 Unless otherwise stated	All dimensions in mm and (inches) 3rd Angle projection	March 2012 Designed by: Brian law www.woodenclocks.co.uk



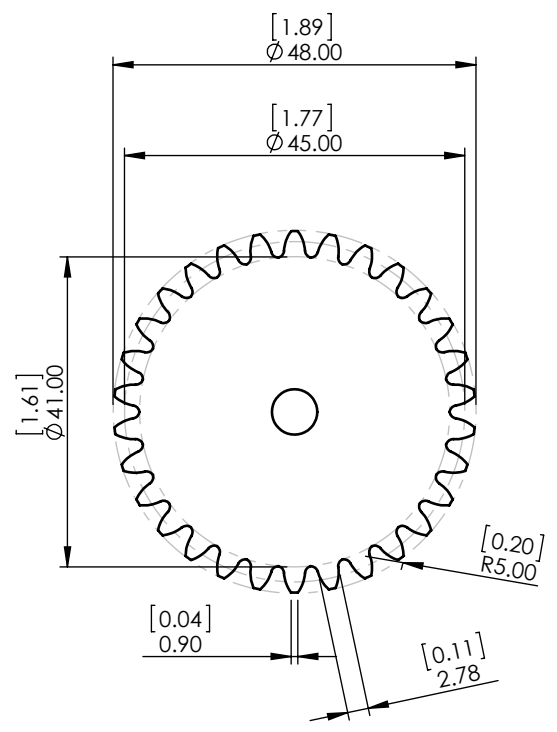
Sht of Shts	Mechanisms for Projects	Geneva Mechanism - Geneva 12
Scale 1:1 Unless otherwise stated	All dimensions in mm and (inches) 3rd Angle projection	March 2012 Designed by: Brian law www.woodenclocks.co.uk



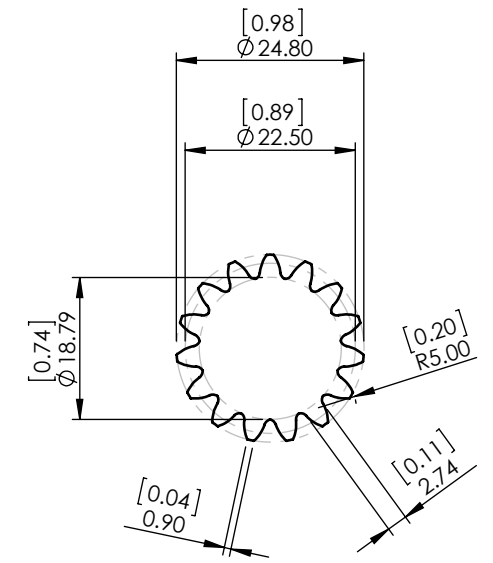
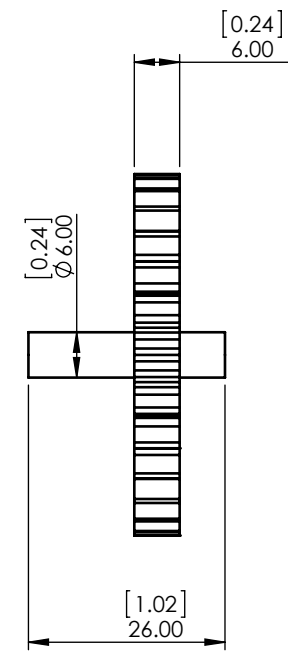
Sht of Shts	Mechanisms for Projects	Internal Geneva Mechanism
Scale 1:1 Unless otherwise stated	All dimensions in mm and (inches) 3rd Angle projection	March 2012 Designed by: Brian law <a href="http://www.woodenclocks.co.uk">www.woodenclocks.co.uk</a>



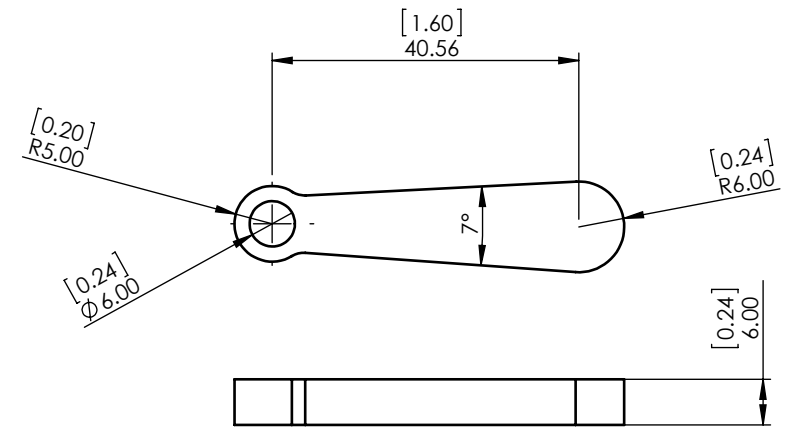
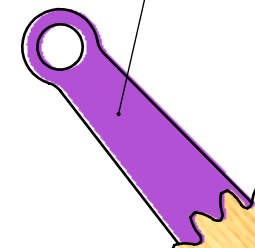
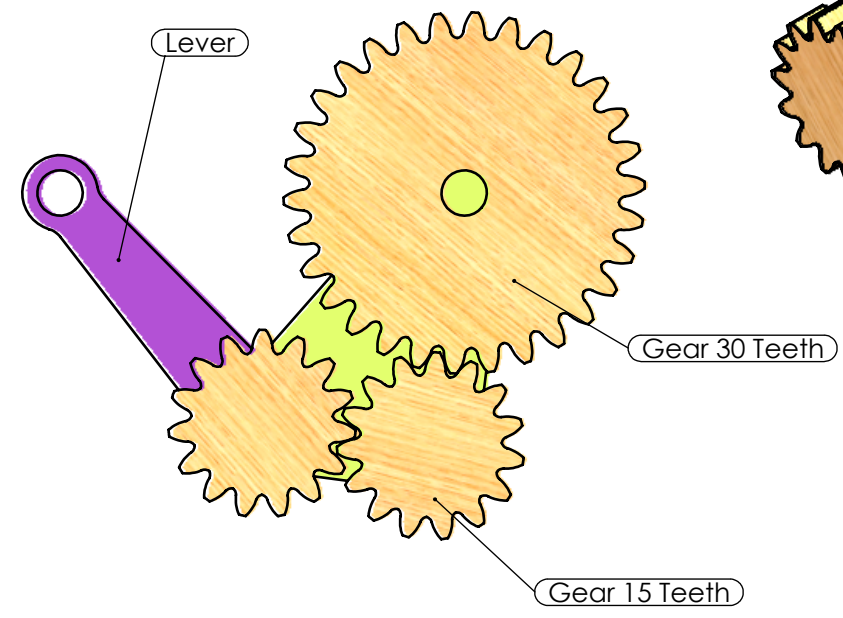
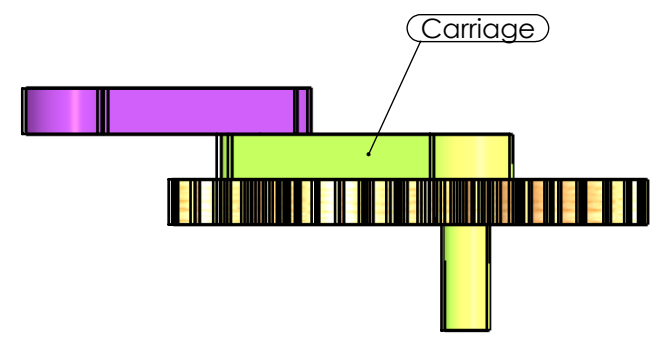
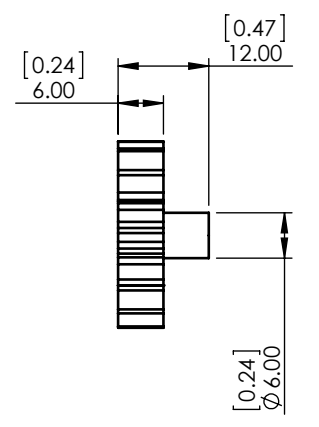
Carriage



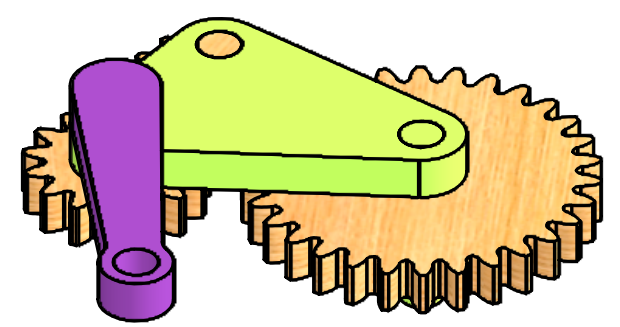
Gear 30 Teeth



Gear 15 Teeth

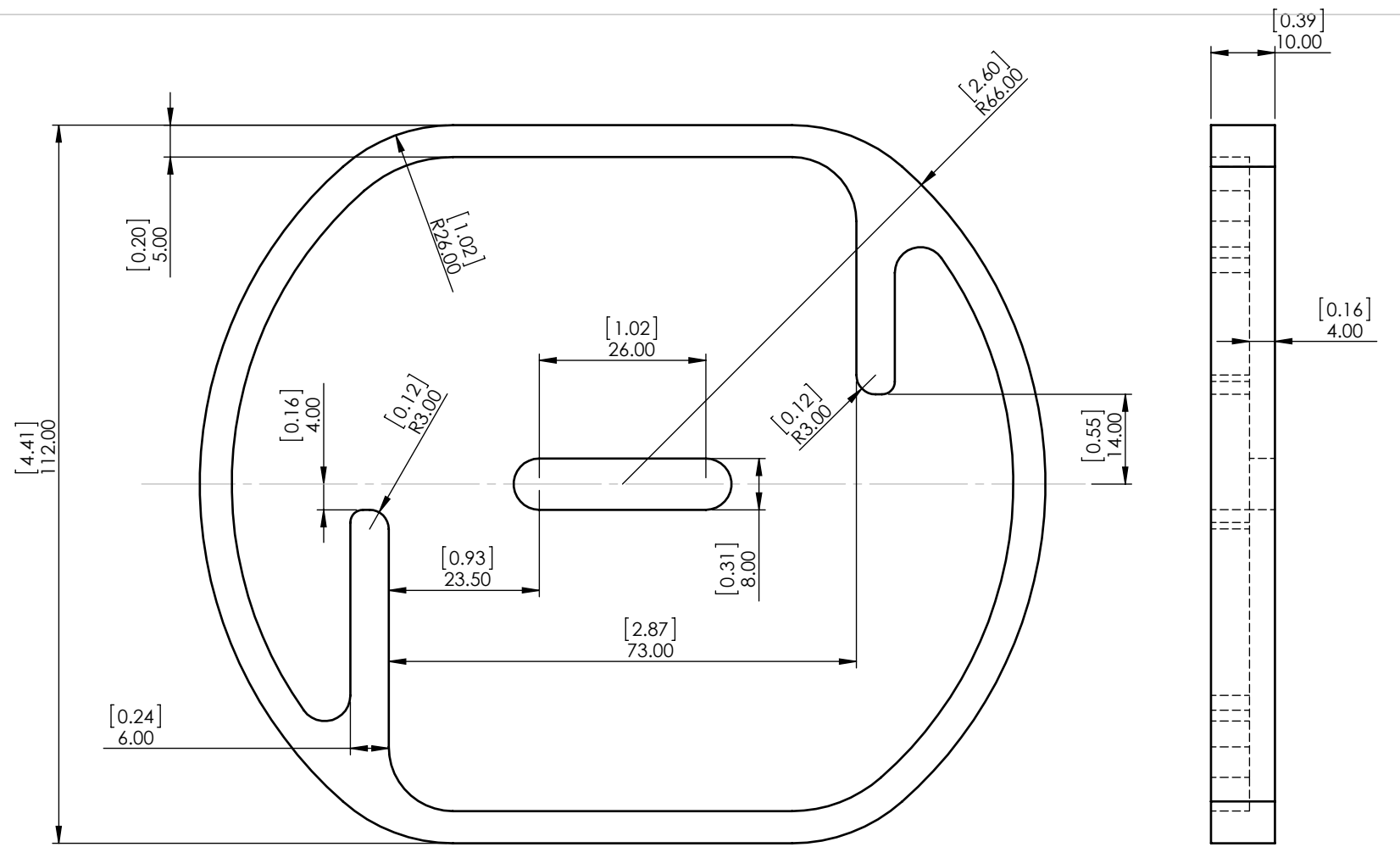
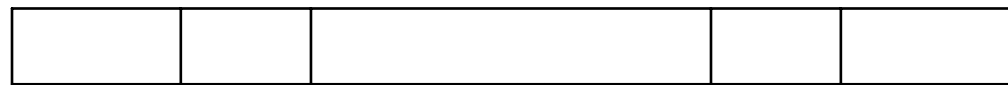
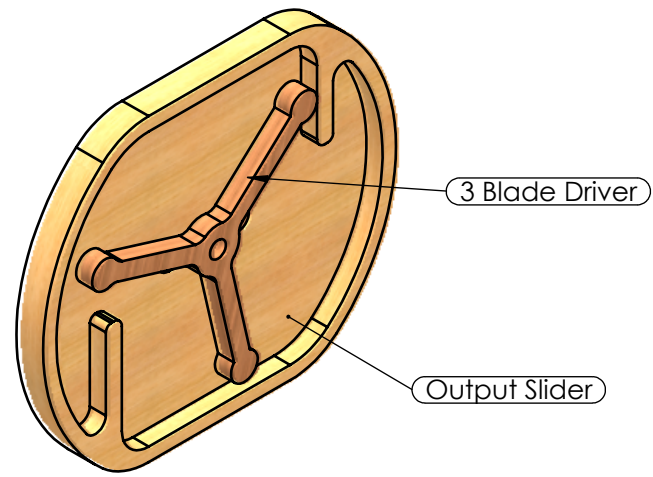


Lever

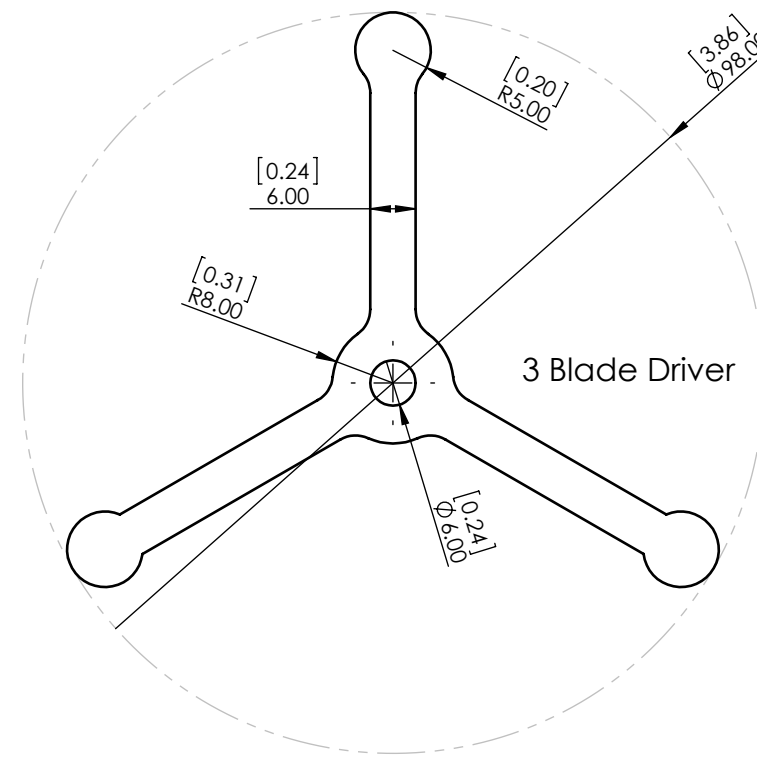
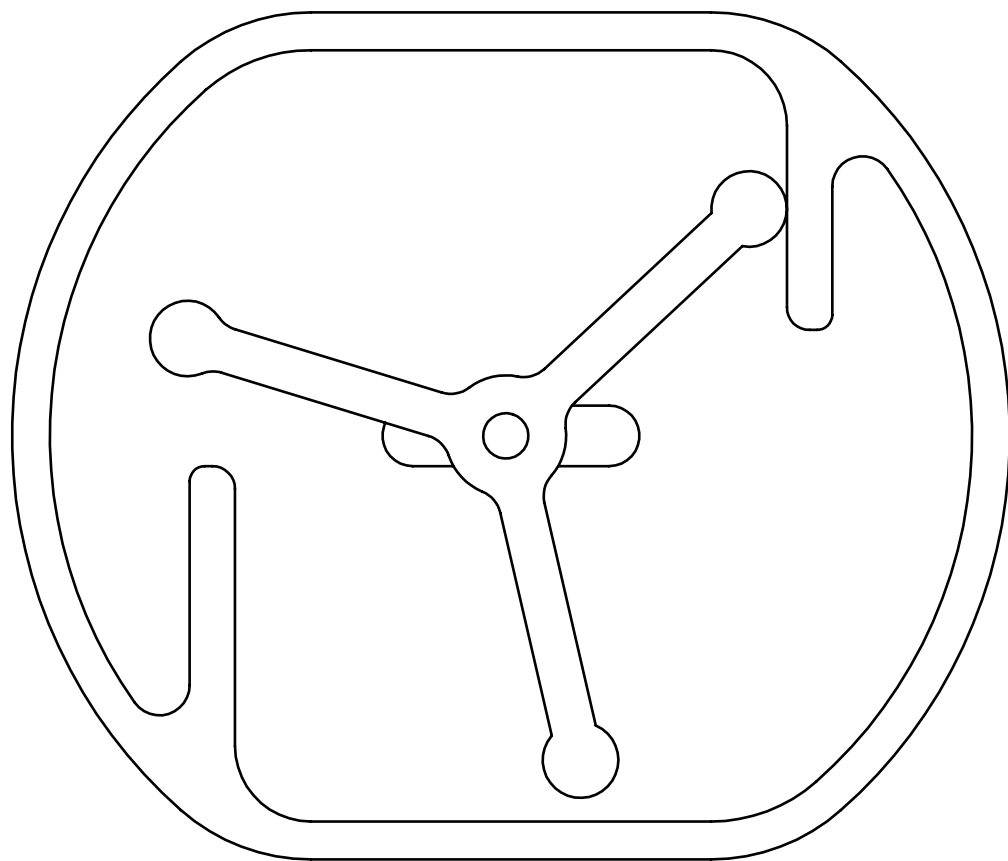


Sht of Shts	Mechanisms for Projects	Cardam Mechanism
Scale 1:1 Unless otherwise stated	All dimensions in mm and (inches) 3rd Angle projection	March 2012 Designed by: Brian law www.woodenclocks.co.uk

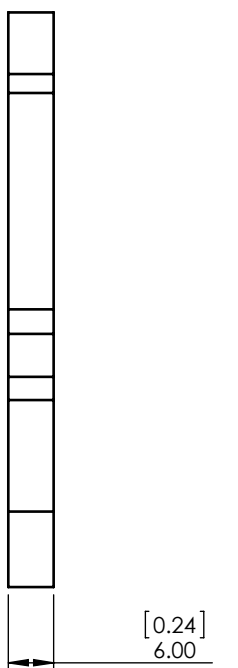




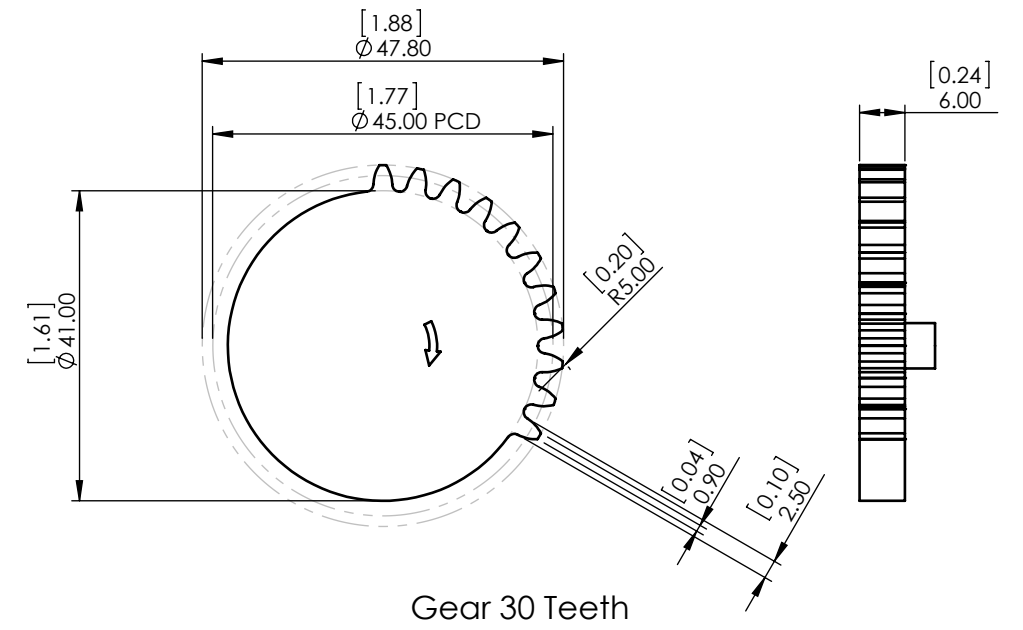
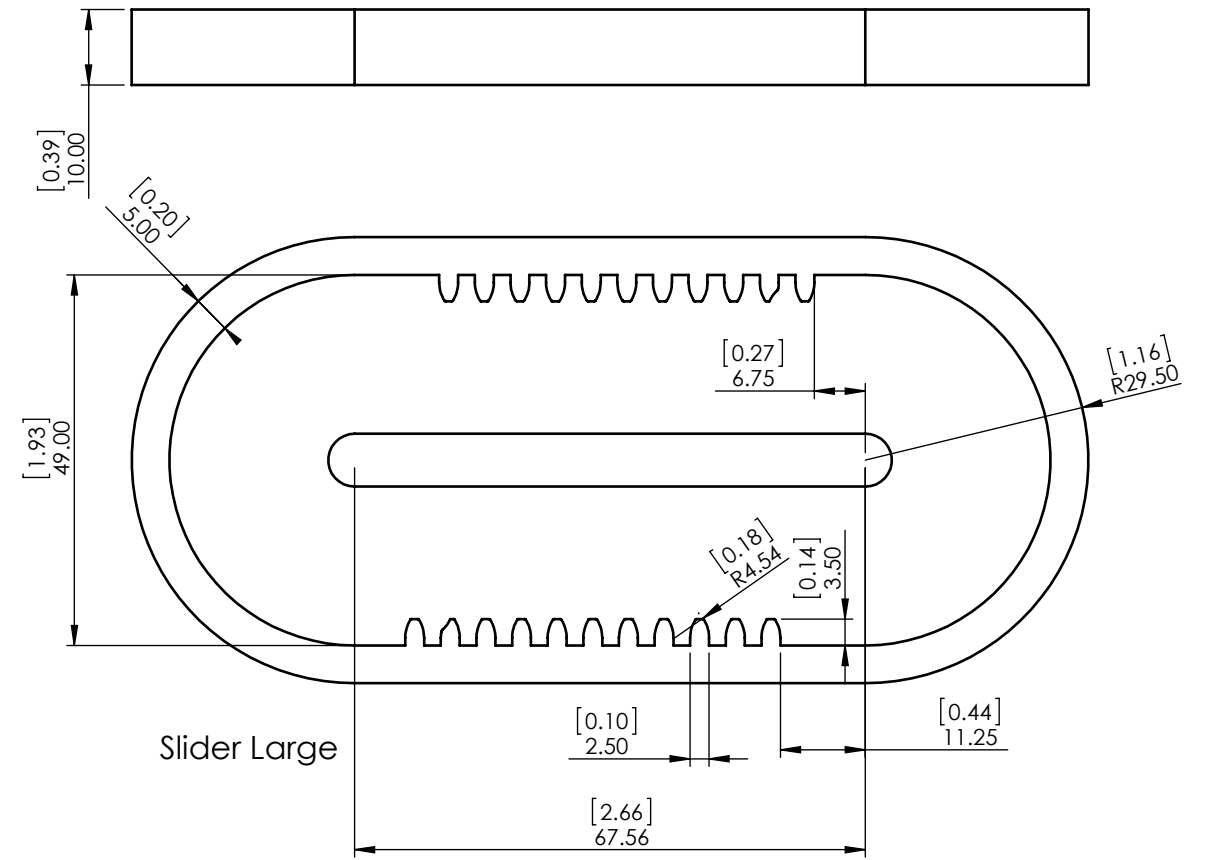
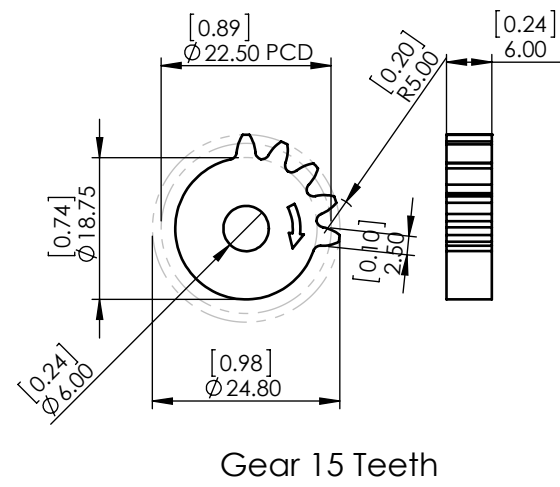
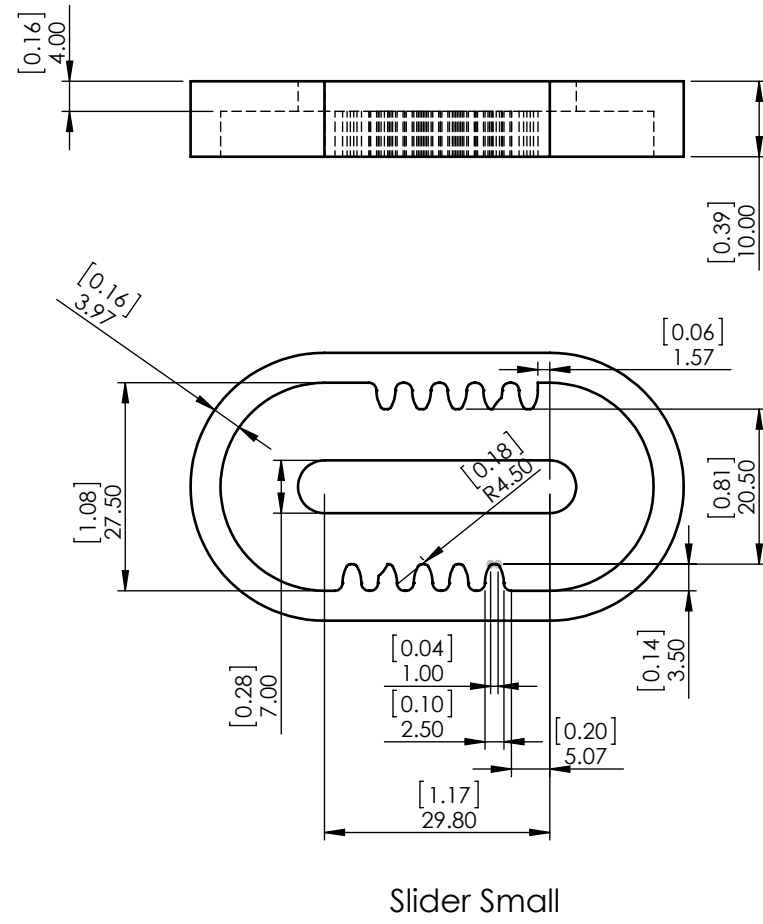
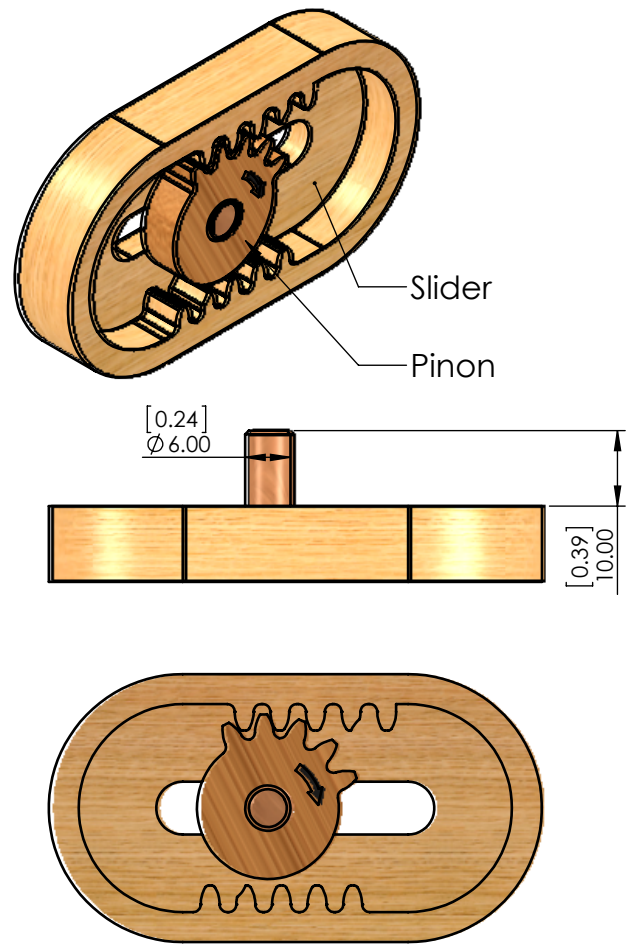
Output Slider



3 Blade Driver



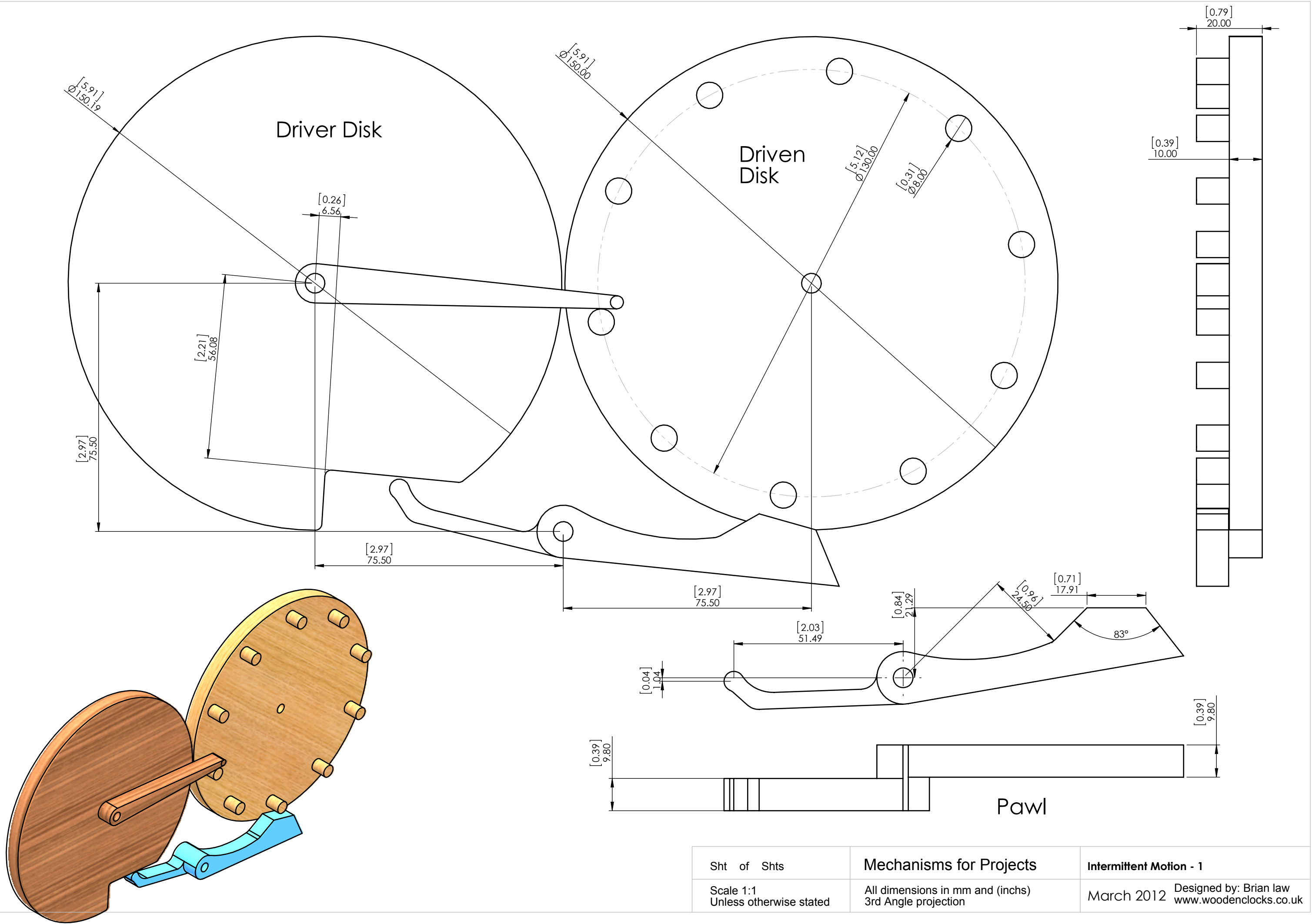
Sht of Shts	Mechanisms for Projects	Rotary to Reciprocating - 1
Scale 1:1 Unless otherwise stated	All dimensions in mm and (inches) 3rd Angle projection	March 2012 Designed by: Brian law www.woodenclocks.co.uk



Sht of Shts	Mechanisms for Projects	Rotary to reciprocating - 2
Scale 1:1 Unless otherwise stated	All dimensions in mm and (inches) 3rd Angle projection	March 2012 Designed by: Brian law www.woodenclocks.co.uk







Sht of Shts	Mechanisms for Projects	Intermittent Motion - 1
Scale 1:1 Unless otherwise stated	All dimensions in mm and (inches) 3rd Angle projection	March 2012 Designed by: Brian law www.woodenclocks.co.uk